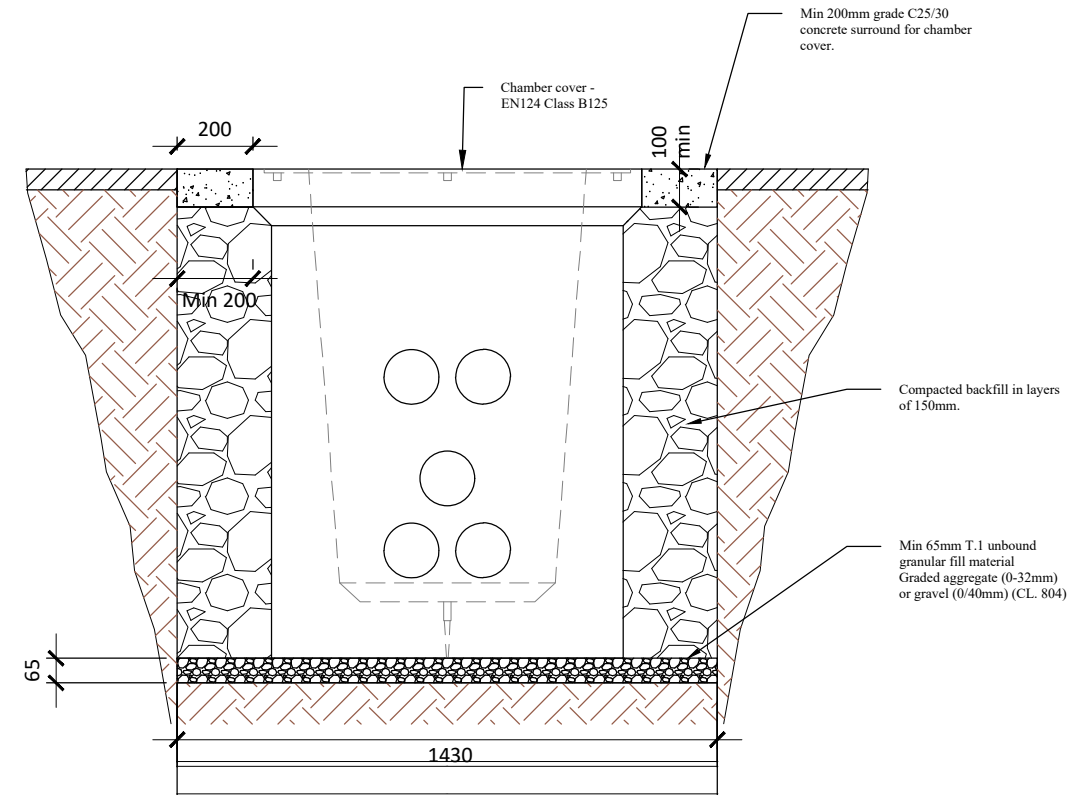
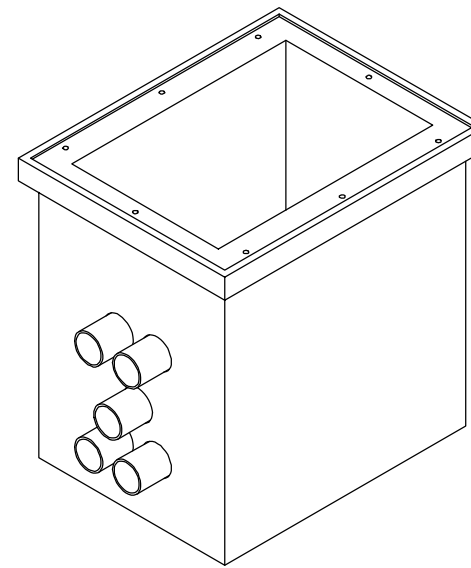


Typical Plan of C2 Chamber
SCALE 1:20



C2 Chamber Detail - Section A
SCALE 1:20



Isometric : C2 Chamber Arrangement
SCALE 1:20

NOTES:

- This drawing is to be read in conjunction with relevant drawings, specifications and reports.
- Drawings are not to be scaled use figured dimensions only.
- All dimensions in millimetres
- Reinstatement to comply with requirements of the relevant local authority / asset owner
- Final position of C2 Chambers shall be agreed with Eirgrid.



Head Office
Beenreigh,
Abbeydorney,
Tralee, Co. Kerry
Ireland
Tel: 00353 66 7135710

APPLICANT



PROJECT

Coolshamrock
110kV Grid Connection

PROJECT NUMBER
05-825

SHEET NUMBER
05825-DR-211

SHEET TITLE

Typical C2 Chamber Details
General Arrangement

DRAWING STATUS
For Planning

ISSUE/REVISION

ISSUE/REVISION	DATE	DESCRIPTION
P00	03.10.22	Issued for Planning
I/R	DATE	DESCRIPTION